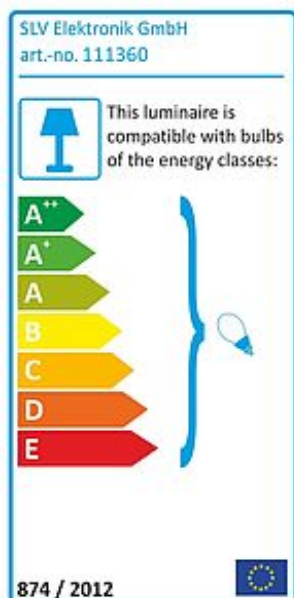


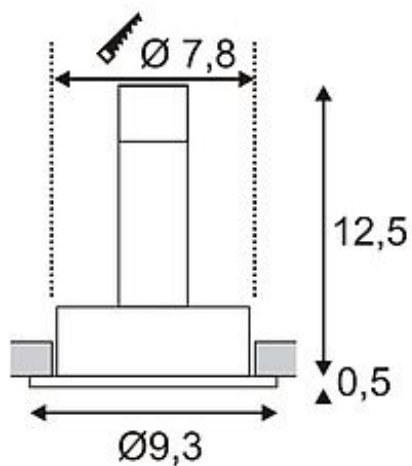
NEW TRIA GU10 ROUND downlight

alu-brushed, max. 50W, incl. retaining springs



| | |
|------------------------------|---|
| Article number | 111360 |
| lampType | Conventional lamp |
| Lamp | GU10 230V max. 50W |
| Lampholder / Socket | GU10 |
| Number of light sources | 1 |
| Lamp included | No |
| Installation diameter | 7.8 cm |
| Installation depth | 12.5 cm |
| Tilt range | 30 Degree |
| Rotation range | 360 Degree |
| Height | 11 cm |
| Diameter | 9.3 cm |
| Net weight | 0.159 kg |
| Gross weight | 0.388 kg |
| Voltage | 230 Volt |
| Max. wattage | 50 Watt |
| Protection class | II |
| Material | aluminium |
| Colour | aluminium brushed |
| Way of mounting | recessed ceiling mounting |
| Remark 1 | Energy labels in your language are available in the Service Area sub point Download |
| Suitable for lamps from EEC | E |
| Suitable for lamps up to EEC | A++ |
| Light distribution type 1 | direct |
| Light distribution type 3 | rotationally symmetric |

The round high-voltage version of our NEW TRIA downlight series is available in either matt white, matt black or brushed aluminum colour version. The generously chosen rotation and tilt range of the spot guarantees the individual orientation of light, whether your light source



of interest is halogen or LED retrofit. To operate the NEW TRIA downlights you only need a matching transformer providing 12V alternating current. This luminaire is compatible with bulbs of the energy classes: E - A++